

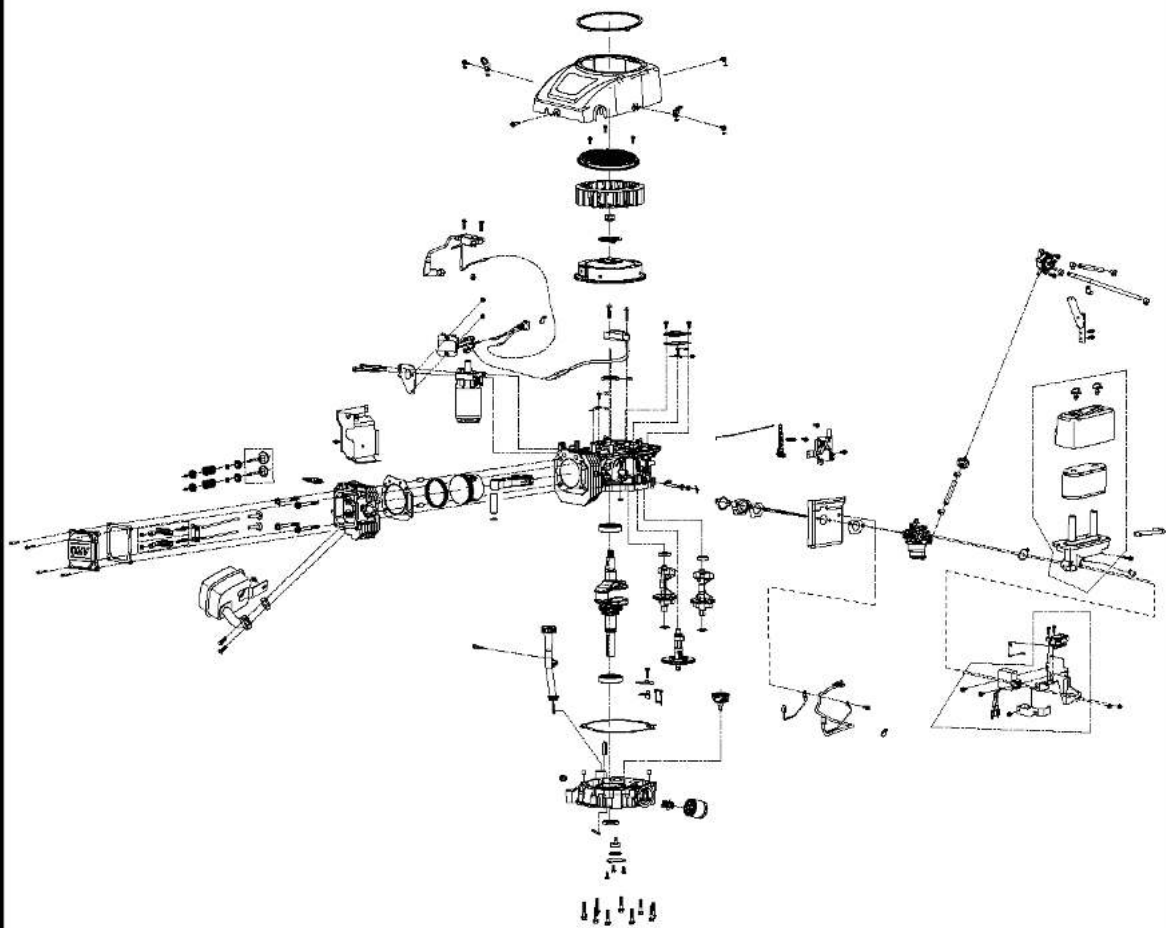
RESERVDELSKATALOG

:

Reservdelista

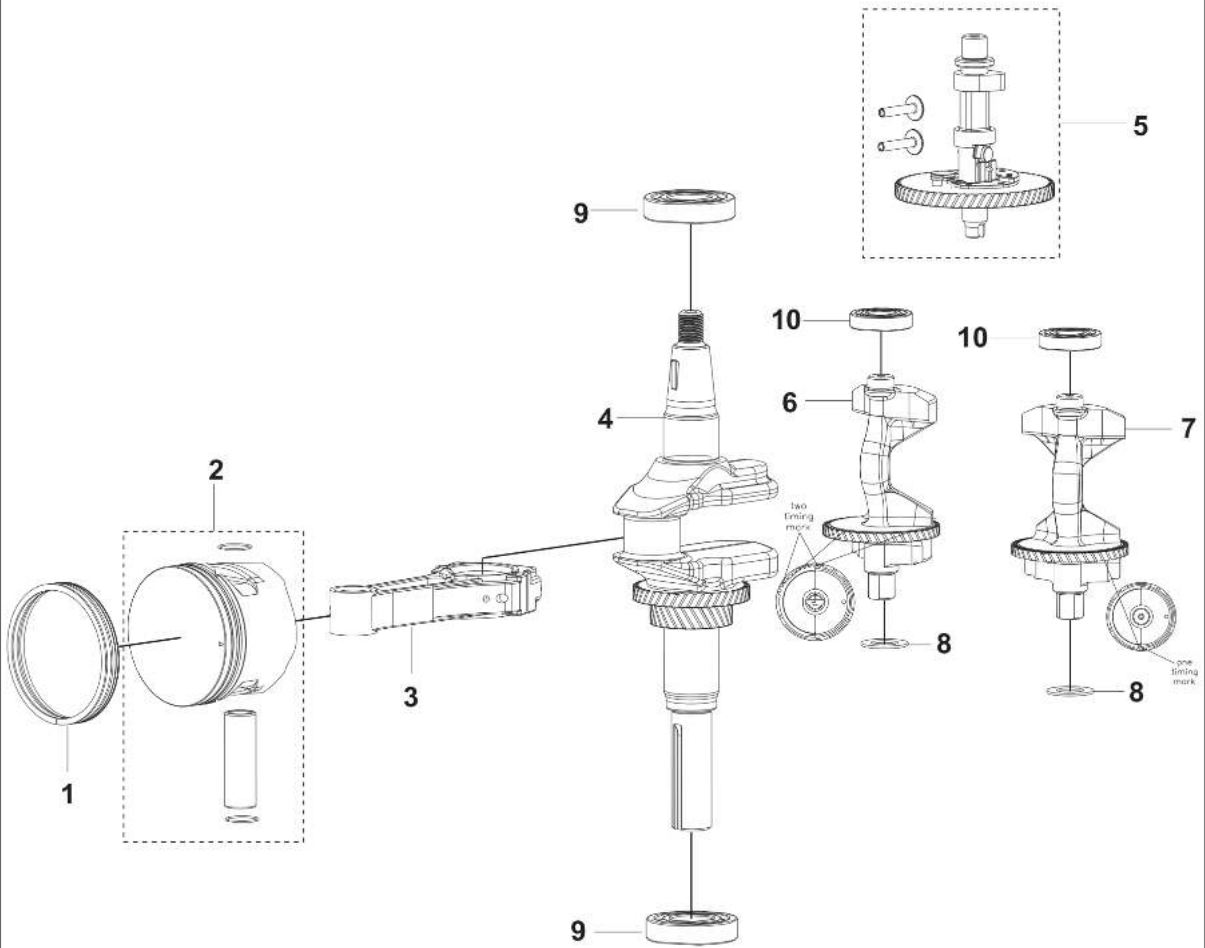
RESERVDELSLISTA

HS 413AE
PRODUCT COMPLETE



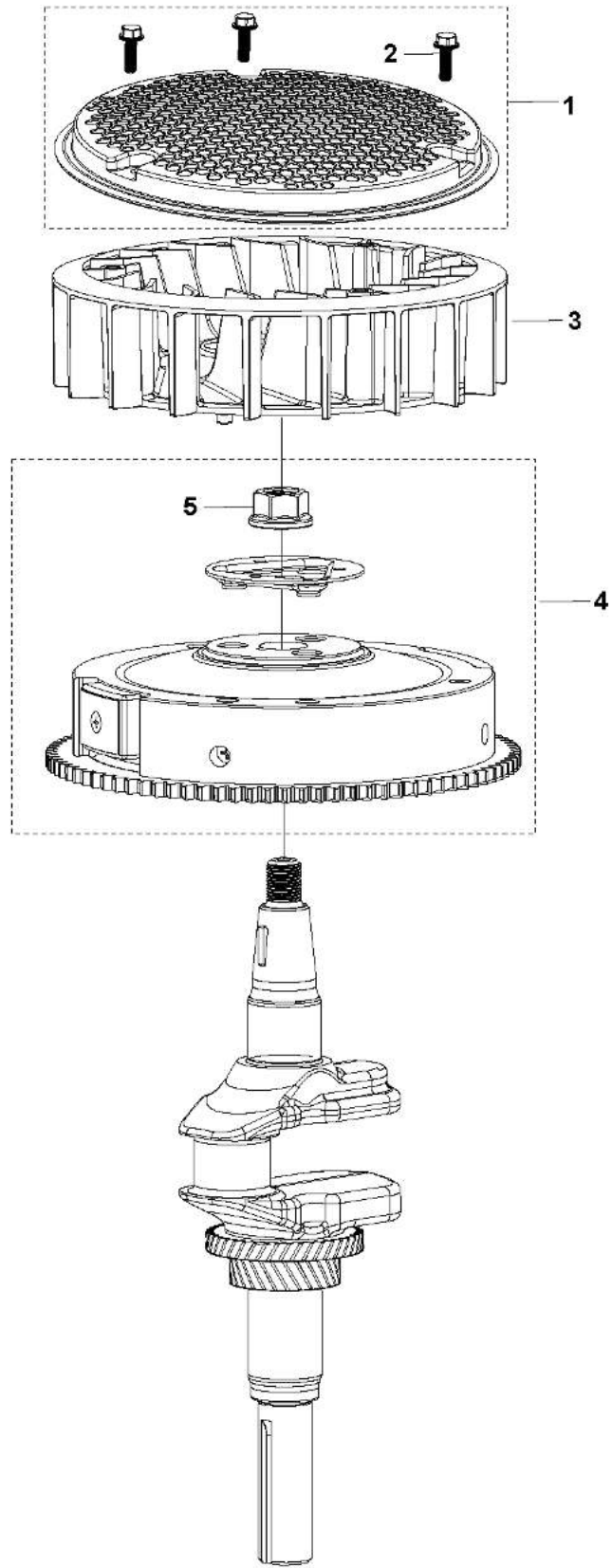
REF.	ART. NR	ARTIKELBESKRIVNING	ANMÄRKNING	KIT
1	529666001	MOTOR		1
2	529666002	MOTOR		1
2	529666003	MOTOR		1
2	529666004	MOTOR		1

B HS 413AE
PISTON & CRANKSHAFT



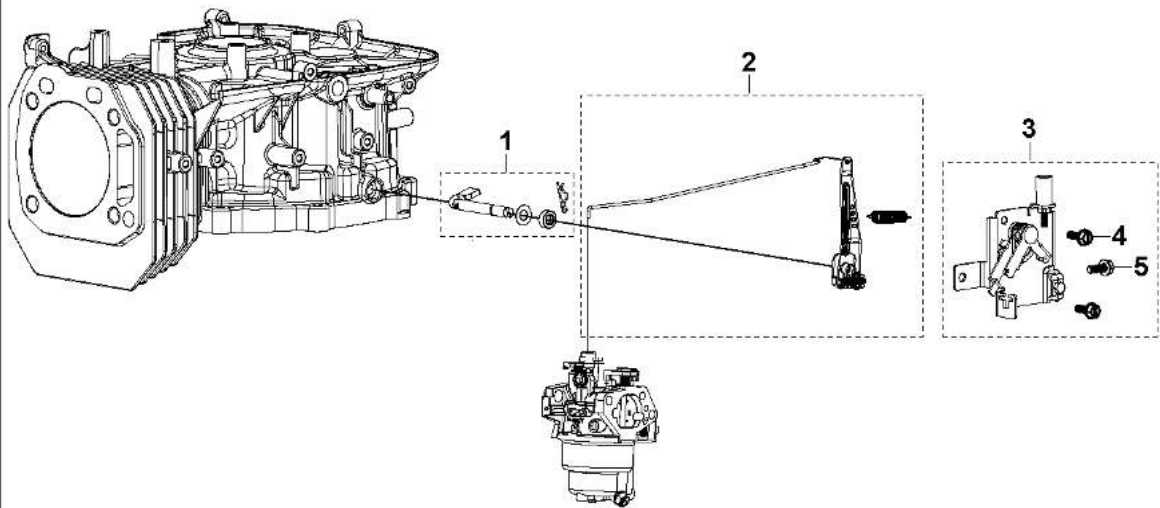
REF.	ART. NR	ARTIKELBESKRIVNING	ANMÄRKNING	KIT
1	599349029	KOLVRING	SET	1
2	599349055	KOLV KPL		1
3	599349030	VEVSTAKE	FOR ENGINE: 529666001, 529666002	1
3	546028701	VEVSTAKE	FOR ENGINE: 529666003, 529666004	1
4	599349031	VEVAXEL	FOR ENGINE: 529666001	1
4	529834701	VEVAXEL	FOR ENGINE: 529666002, 529666003, 529666004	1
5	599349037	KAMAXEL	KIT	1
6	599349034	AXEL	BALANCING SHAFT	1
7	599349035	AXEL	BALANCING SHAFT	1
8	599349036	BRICKA	T370: 17.4 x 30 x 1.5	1
9	599349032	KULLAGER		1
10	599349033	KULLAGER		1

D HS 413AE
FLYWHEEL



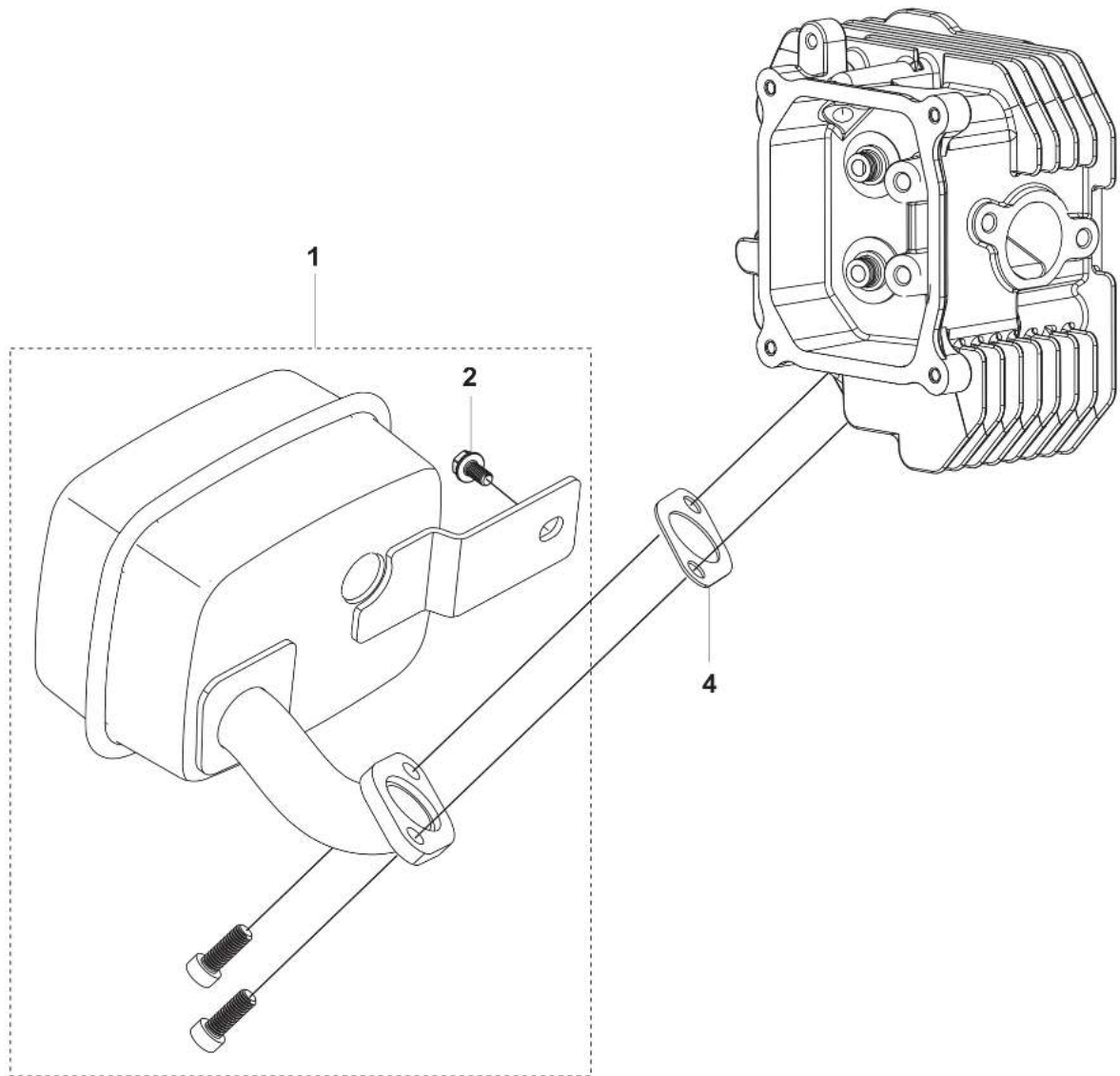
REF.	ART. NR	ARTIKELBESKRIVNING	ANMÄRKNING	KIT
1	599349062	TÄCKLOCKSSATS	COVER IMPELLER FOR ENGINE: 529666001, 529666002.	1
1	546029201	TÄCKLOCKSSATS	COVER IMPELLER FOR ENGINE: 529666003, 529666004.	1
2	546029301	BULT	GB/T 5789: M5 L=16	1
3	599349041	FLÅKTHJUL		1
4	599349063	SVÅNGHJUL		1
5	546029401	MUTTER	T381: M16×1.5	1

E HS 413AE
GOVERNOR



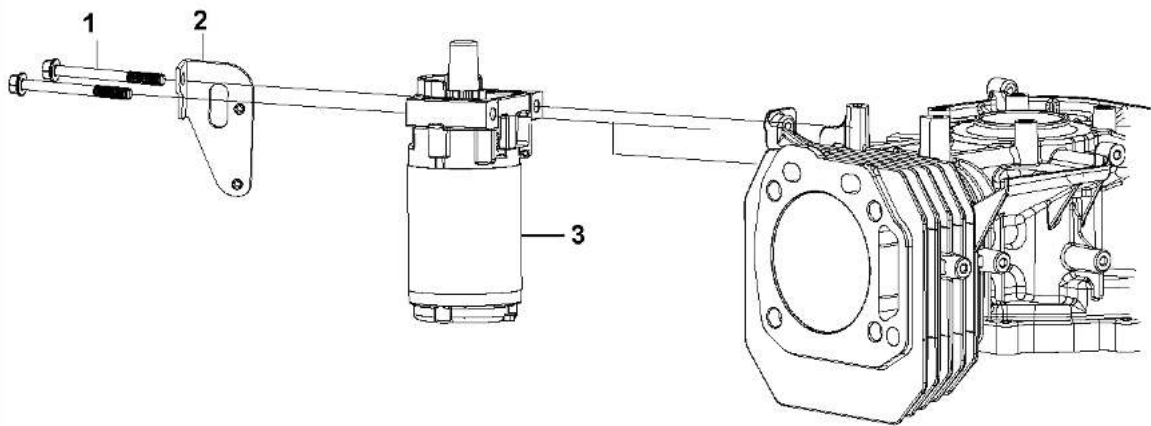
REF.	ART. NR	ARTIKELBESKRIVNING	ANMÄRKNING	KIT
1	590972901	ARM	SPEED REGULATING ARM KIT	1
2	599349066	SPJÄLL KPL		1
3	599349067	GASHANDTAG	FOR ENGINE: 529666001, 529666002	1
3	546029601	GASHANDTAG	FOR ENGINE: 529666003, 529666004	1
4	546028901	BULT	GB/T 5789: M6 L=14	1
5	531147125	BULT	GB/T 5789: M6 L=16	1

H HS 413AE
EXHAUST



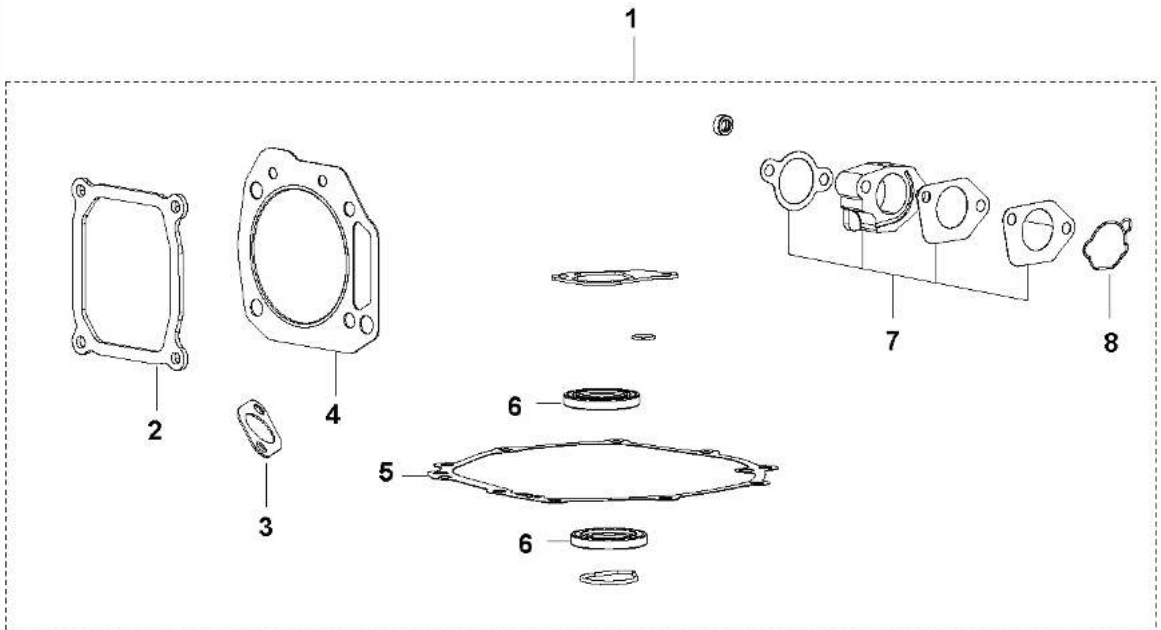
REF.	ART. NR	ARTIKELBESKRIVNING	ANMÄRKNING	KIT
1	599349072	LJUDDÄMPARE	FOR ENGINE: 529666001	1
2	546300901	BULT	GB/T 5789: M8 L=20 S=12	1
4	599349045	PACKNING	MUFFLER GASKET - MULTIPACK: 10	1

**HS 413AE
STARTING MOTOR**



REF.	ART. NR	ARTIKELBESKRIVNING	ANMÄRKNING	KIT
1	598607401	BULT	GB/T 5789: M8 L=80 S=12	1
2	599349076	STÖD	RECTIFIER SUPPORT	1
3	599349075	STARTMOTOR	FOR ENGINE: 529666001, 529666002, 529666003	1
3	546246601	STARTMOTOR	FOR ENGINE: 529666004	1

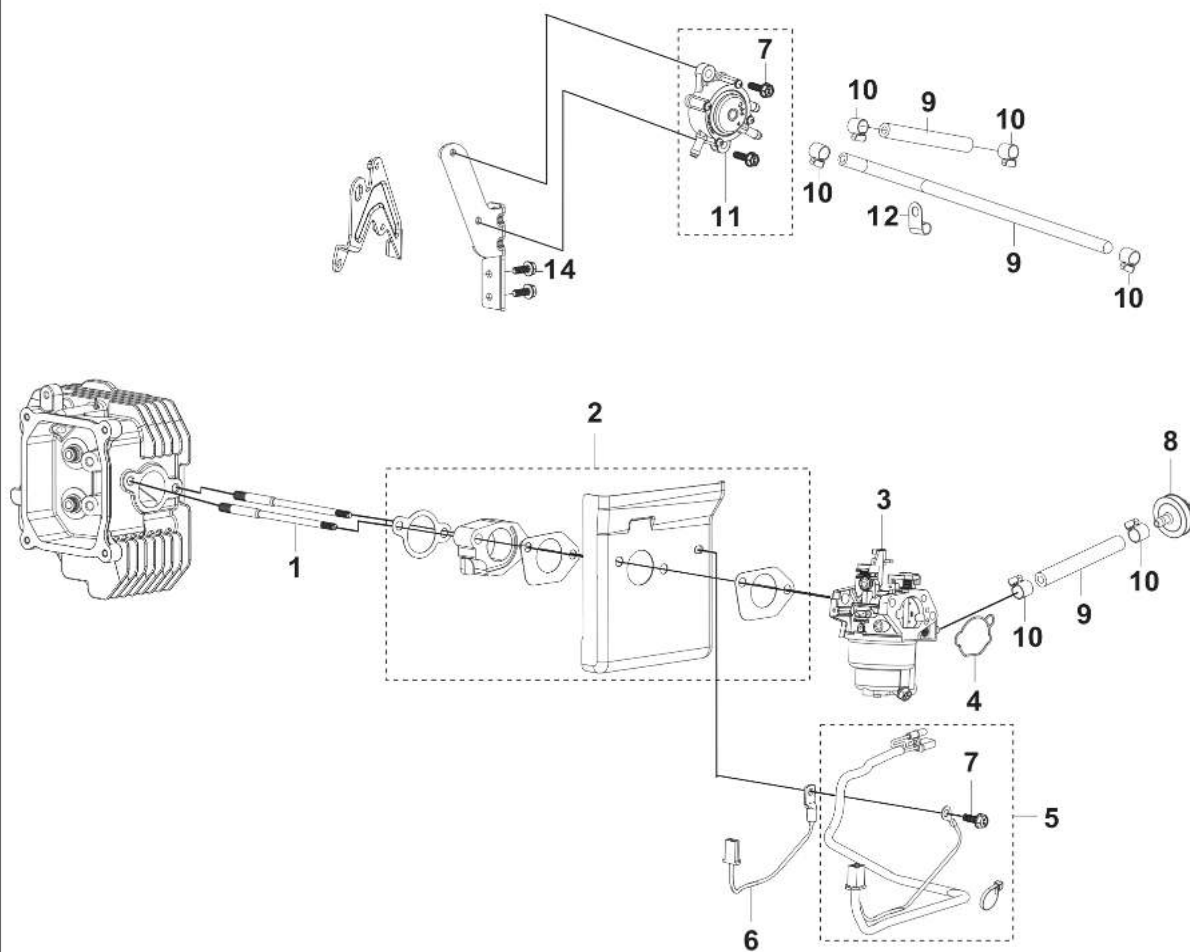
J HS 413AE
GASKET KIT



REF.	ART. NR	ARTIKELBESKRIVNING	ANMÄRKNING	KIT
1	599349074	PACKNINGSSATS		1
2	599349025	PACKNING	CYLINDER HEAD COVER GASKET	1
3	599349045	PACKNING	MUFFLER GASKET - MULTIPACK: 10	1
4	599349027	PACKNING	CYLINDER HEAD GASKET	1
5	599349077	PACKNING	CRANKCASE COVER GASKET	1
6	599596801	SEAL	OIL SEAL	1
7	599349056	PACKNINGSSATS	CARBURETTOR GASKET KIT	1
8	599349078	PACKNING	CARBURETTOR GASKET - MULTIPACK: 10	1

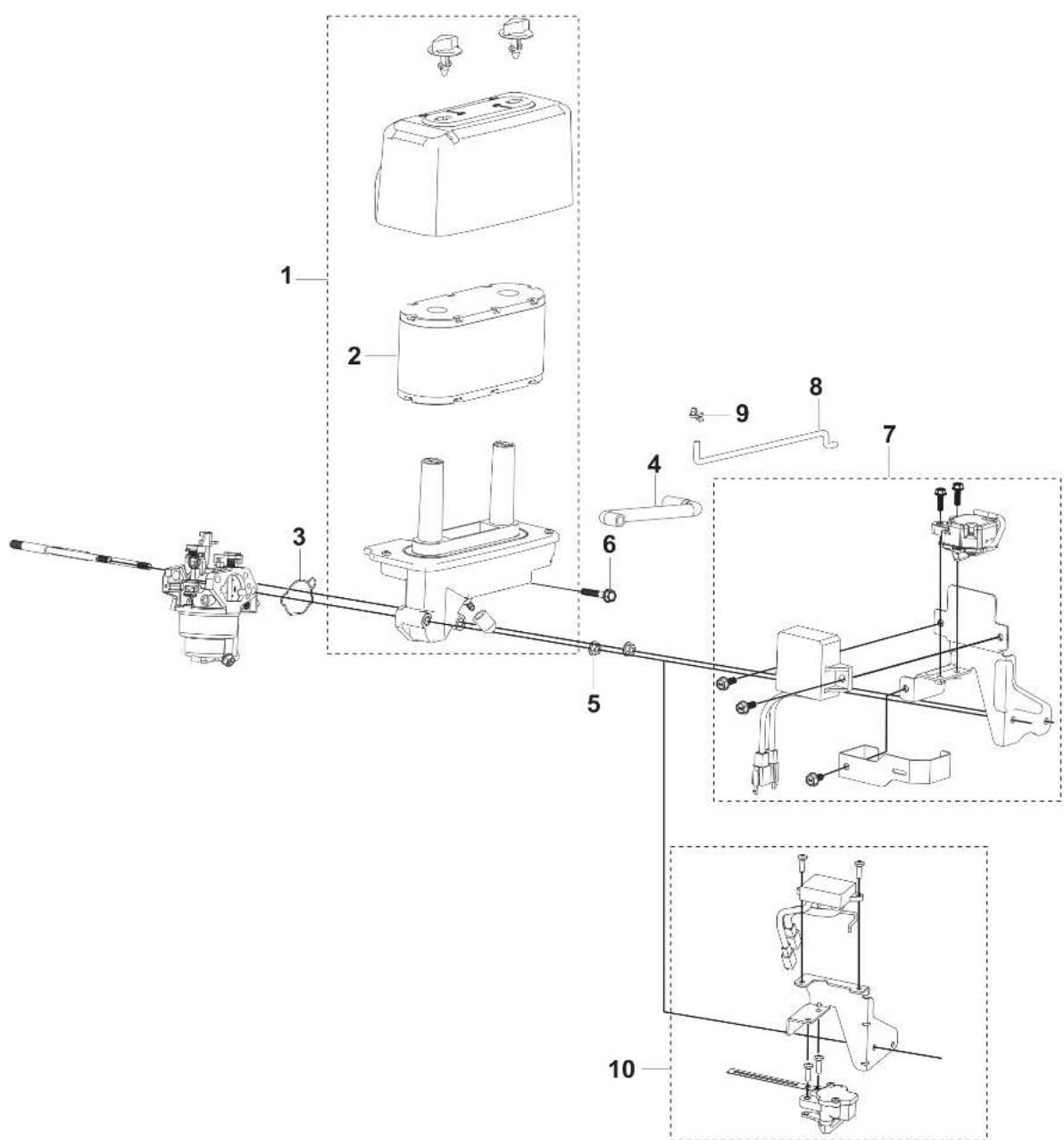
**HS 413AE
CARBURETTOR**

FOR ENGINE: 529666001, 529666002, 529666003



REF.	ART. NR	ARTIKELBESKRIVNING	ANMÄRKNING	KIT
1	599349038	STUD	T430: M8/6 L=147 - MULTIPACK: 2. FOR ENGINE: 529666001, 529666002	1
1	546028801	STUD	T361: M8/6 L=143 - MULTIPACK: 2. FOR ENGINE: 529666003	1
2	599349056	PACKNINGSSATS	CARBURETTOR GASKET KIT	1
3	599349057	FÖRGASARE	FOR ENGINE: 529666001	1
3	529802201	FÖRGASARE	FOR ENGINE: 529666002, 529666003	1
4	599349078	PACKNING	CARBURETTOR GASKET - MULTIPACK: 10	1
5	599349059	VAJER	CONNECTING WIRE KIT	1
6	599349039	SENSOR	TEMPERATURE SENSOR	1
7	531147125	BULT	GB/T 5789: M6 L=16	1
8	591165801	BRÄNSLEFILTER		1
9	599349353	RÖR		1
10	599595401	KLÄMMA	HOSE CLIP - MULTIPACK: 20	1
11	598599901	BRÄNSLEPUMP	FOR ENGINE: 529666002, 529666003	1
12	546036201	KLÄMMA	HOSE CLIP	1
14	546028901	BULT	GB/T 5789: M6 L=14	1

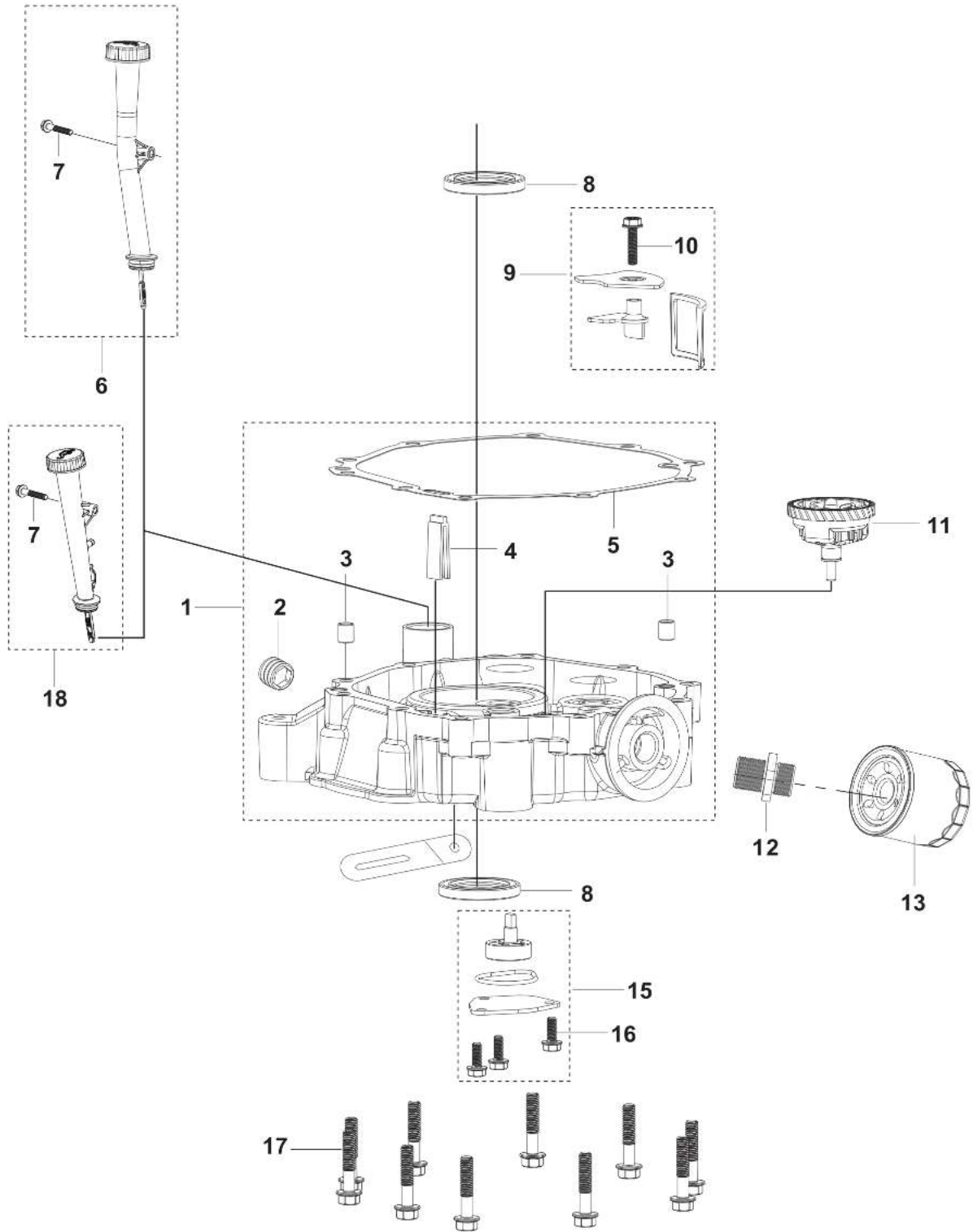
HS 413AE
AIR FILTER



REF.	ART. NR	ARTIKELBESKRIVNING	ANMÄRKNING	KIT
1	599349060	LUFTFILTER KPL		1
2	599349040	LUFTFILTER	ELEMENT	1
3	599349078	PACKNING	CARBURETTOR GASKET - MULTIPACK: 10	1
4	537513601	RÖR	BREATHER TUBE	1
5	599349345	MUTTER	GB/T 6177.1: M6	1
6	598607501	BULT	GB/T 5789: M6 L=35	1
7	599349061	CHOKEREGLAG E KPL	FOR ENGINE: 529666001, 529666002	1
8	537491401	CHOKESPIJÄLL		1
9	599596701	LÅS	CHOKE LOCK - MULTIPACK: 10	1
10	546029001	CHOKEREGLAG E KPL	FOR ENGINE: 529666003, 529666004	1

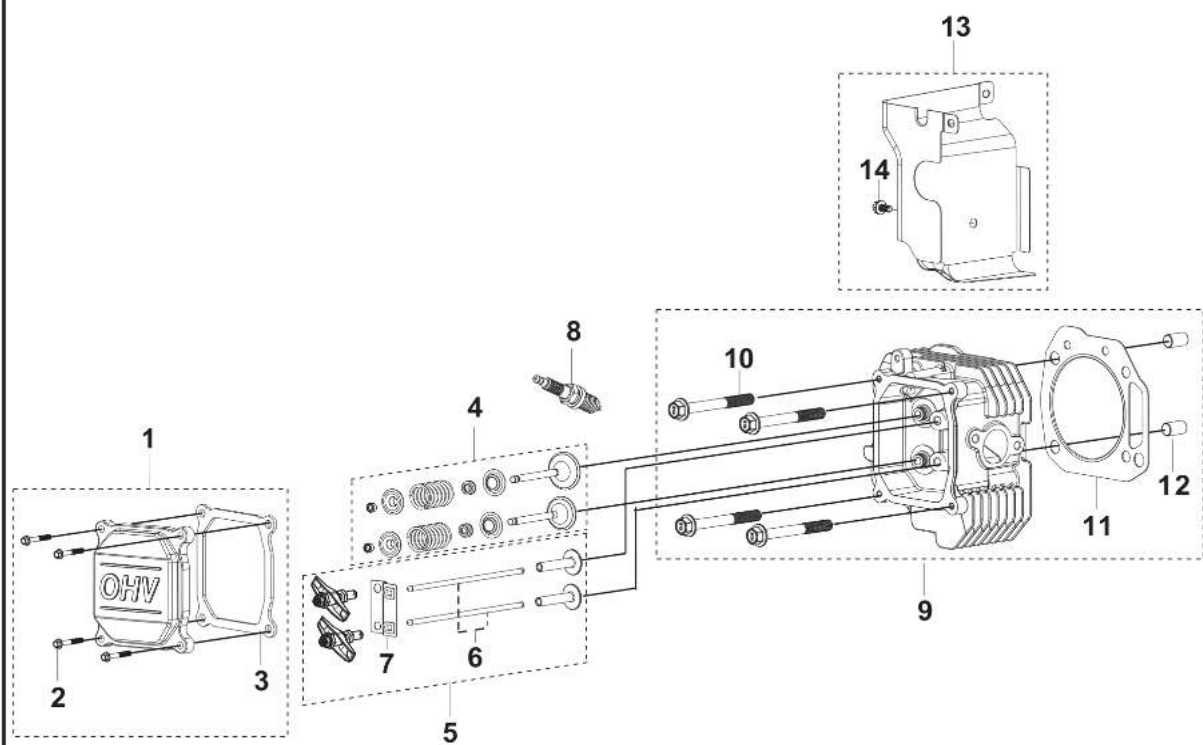
**HS 413AE
CRANKCASE COVER**

FOR ENGINE: 529666001, 529666002, 529666003



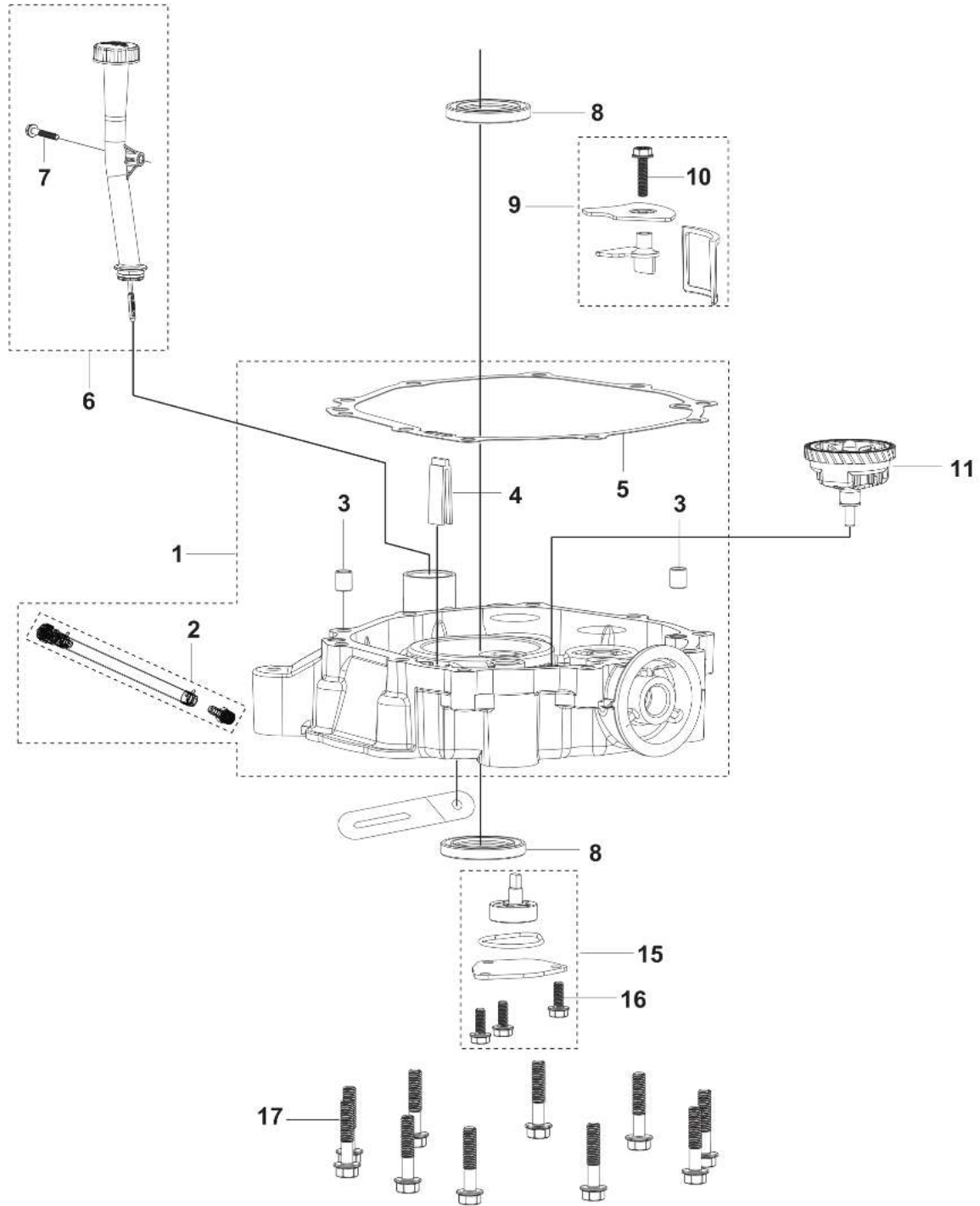
REF.	ART. NR	ARTIKELBESKRIVNING	ANMÄRKNING	KIT
1	599349069	CRANKCASE KIT	CRANKCASE COVER KIT - FOR ENGINE: 529666001	1
1	529802101	CRANKCASE KIT	CRANKCASE COVER KIT - FOR ENGINE: 529666002, 529666003	1
2	598600101	OIL PLUG		1
3	598607701	TAPP	LOCATION PIN - MULTIPACK: 20	1
4	599595801	BLOCK	OIL RETURN BLOCK - MULTIPACK: 5	1
5	599349077	PACKNING	CRANKCASE COVER GASKET	1
6	590972601	MÄTSTICKA	FOR ENGINE: 529666001, 529666002	1
7	598607501	BULT	GB/T 5789: M6 L=35	1
8	599596801	SEAL	OIL SEAL	1
9	599349070	SIL	OIL STRAINER	1
10	598684559	BULT	GB/T 5789: M6 L=25	1
11	590972701	VÄXEL	GOVERNOR GEAR	1
12	598607601	OIL PLUG	OIL FILTER MOUNTING PLUG - FOR ENGINE: 529666002, 529666003	1
13	591165901	OIL FILTER	FOR ENGINE: 529666002, 529666003	1
15	599349071	OLJEPUMP KPL		1
16	531147125	BULT	GB/T 5789: M6 L=16	1
17	599349044	BULT	T370: M8 L=40 S=12	1
18	536564701	MÄTSTICKA	FOR ENGINE: 529666003	1

HS 413AE
CYLINDER HEAD ASSY



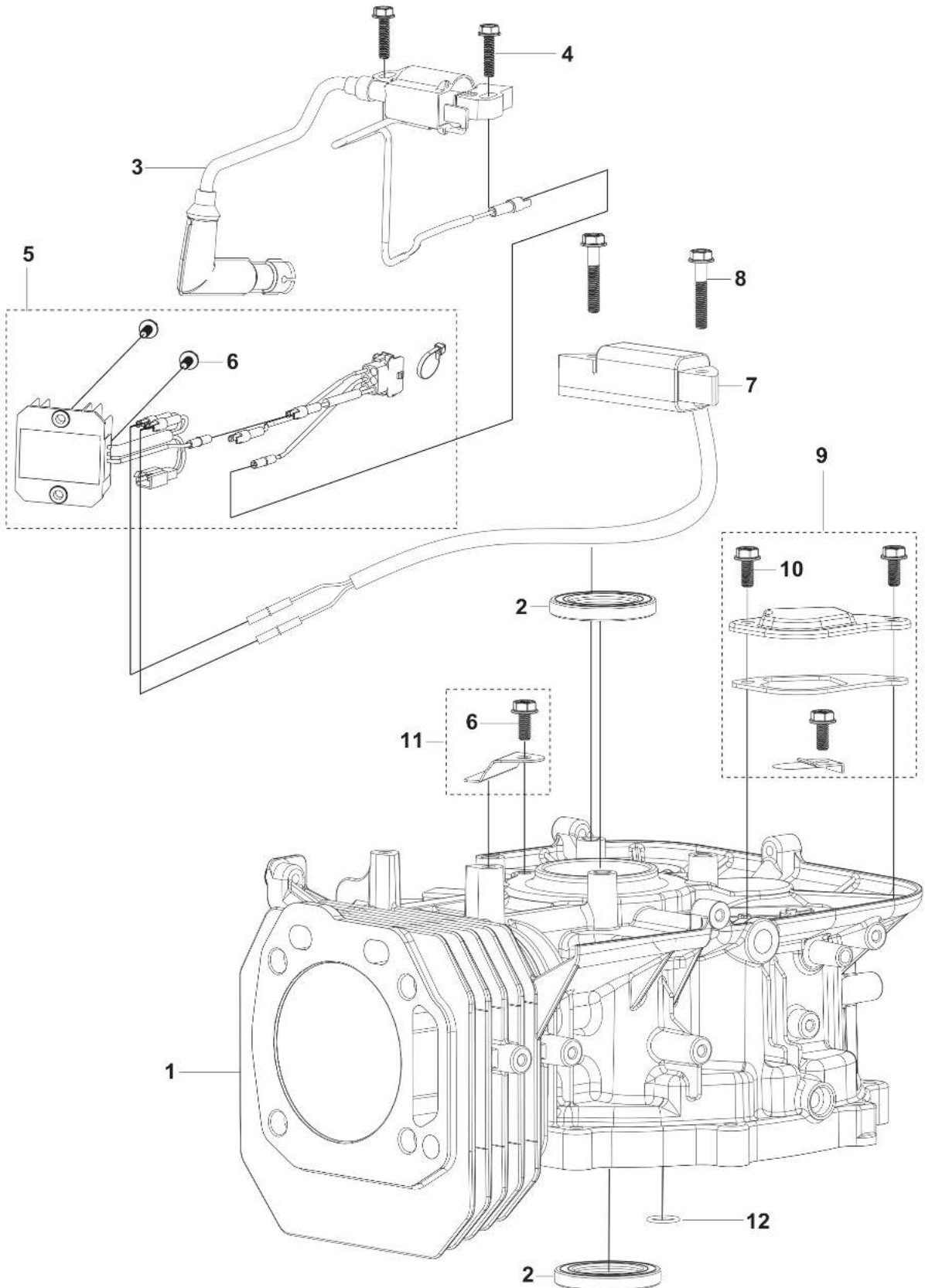
REF.	ART. NR	ARTIKELBESKRIVNING	ANMÄRKNING	KIT
1	599349046	CYLINDERKÅPA	CYLINDER HEAD COVER KIT	1
2	598684559	BULT	GB/T 5789: M6 L=25	1
3	599349025	PACKNING	CYLINDER HEAD COVER GASKET	1
4	590971701	VENTILSATS		1
5	590971801	VENTILSATS	ROCKER ARM KIT	1
6	599349048	TRYCKSTÅNG	PUSH ROD SET	1
7	529458701	PLATTA	PUSH ROD GUIDE PLATE	1
8	590844401	TÄNDSTIFT	HQT-9	1
9	599349049	CYLINDER HEAD KIT	FOR ENGINE: 529666001, 529666002	1
9	546028501	CYLINDER HEAD KIT	FOR ENGINE: 529666003, 529666004	1
10	546028601	BULT	T370: M10×1.25 L=85	1
11	599349027	PACKNING	CYLINDER HEAD GASKET	1
12	599349201	TAPP	LOCATION PIN - MULTIPACK: 20	1
13	599349050	DEFLEKTOR	AIR DEFLECTOR KIT	1
14	599349093	BULT	GB/T 5789: M6 L=12	1

**HS 413AE
CRANKCASE COVER
FOR ENGINE: 529666004**



REF.	ART. NR	ARTIKELBESKRIVNING	ANMÄRKNING	KIT
1	546246401	CRANKCASE KIT	CRANKCASE COVER KIT	1
2	546246501	OIL PLUG		1
3	598607701	TAPP	LOCATION PIN - MULTIPACK: 20	1
4	599595801	BLOCK	OIL RETURN BLOCK - MULTIPACK: 5	1
5	599349077	PACKNING	CRANKCASE COVER GASKET	1
6	590972601	MÄTSTICKA		1
7	598607501	BULT	GB/T 5789: M6 L=35	1
8	599596801	SEAL	OIL SEAL	1
9	599349070	SIL	OIL STRAINER	1
10	598684559	BULT	GB/T 5789: M6 L=25	1
11	590972701	VÄXEL	GOVERNOR GEAR	1
15	599349071	OLJEPUMP KPL		1
16	531147125	BULT	GB/T 5789: M6 L=16	1
17	599349044	BULT	T370: M8 L=40 S=12	1

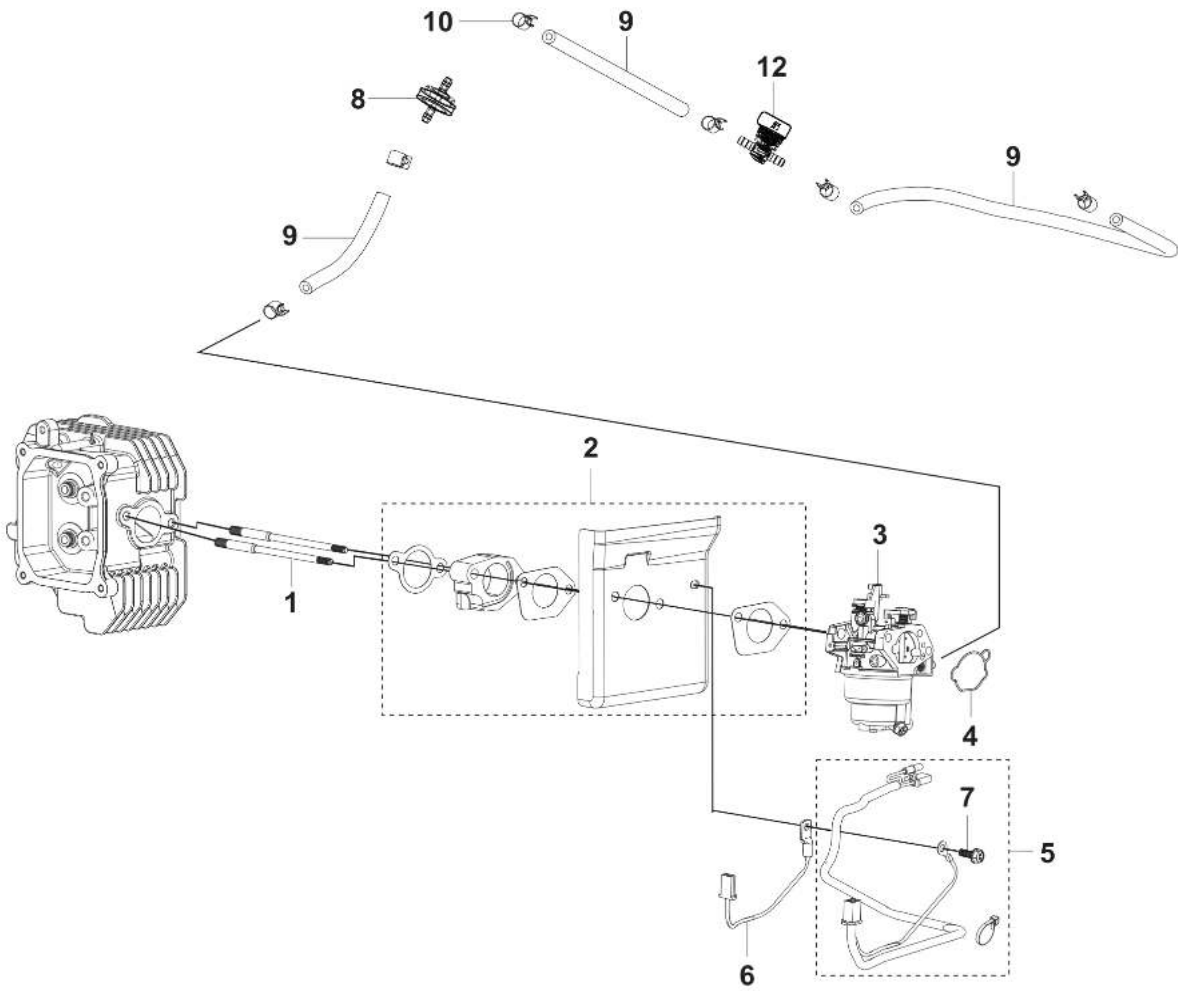
HS 413AE
CRANKCASE & ELECTRICAL



REF.	ART. NR	ARTIKELBESKRIVNING	ANMÄRKNING	KIT
1	599349028	VEVHUS		1
2	599596801	SEAL	OIL SEAL	1
3	599349054	TÄNDSPOLE		1
4	598684559	BULT	GB/T 5789: M6 L=25	1
5	599349073	VARIATOR	VOLTAGE RECTIFIER KIT	1
6	546028901	BULT	GB/T 5789: M6 L=14	1
7	599349053	ARMATURE	ARMATURE. FOR ENGINE: 529666001, 529666002, 529666003.	1
7	546246301	ARMATURE	ARMATURE. FOR ENGINE: 529666004	1
8	599349095	BULT	GB/T 5789: M6 L=30	1
9	599349052	LUFTNING	BREATHER CHAMBER KIT.	1
10	599349093	BULT	GB/T 5789: M6 L=12	1
11	590973501	PLATTA	OIL GROOVE PRESSING PLATE	1
12	599595601	SEALING RING	SEAL RING - MULTIPACK: 10	1

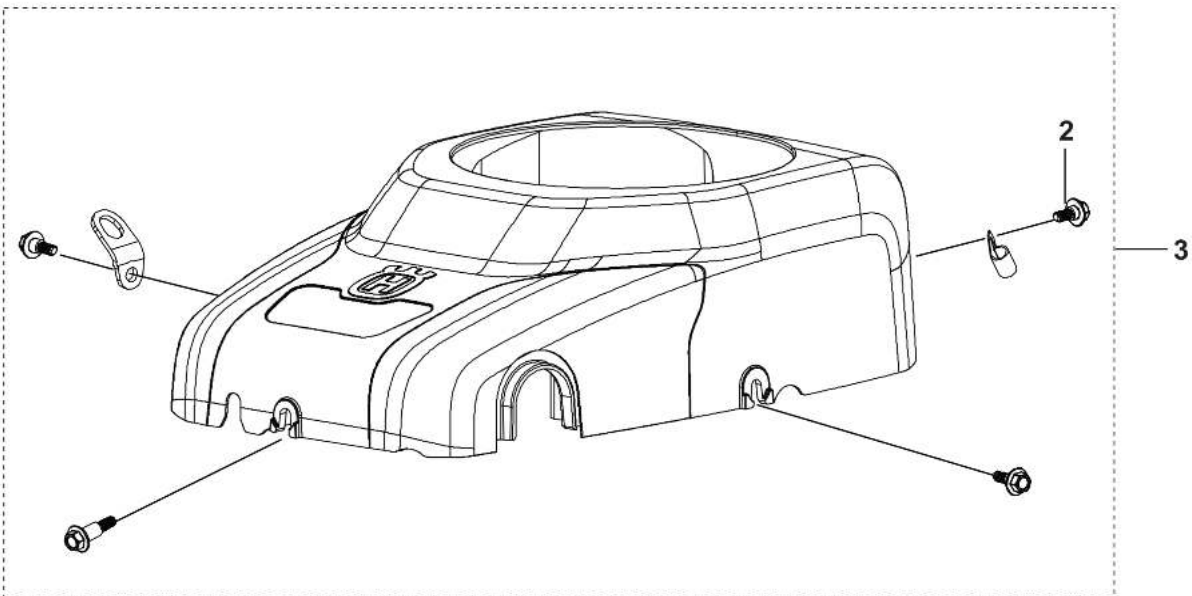
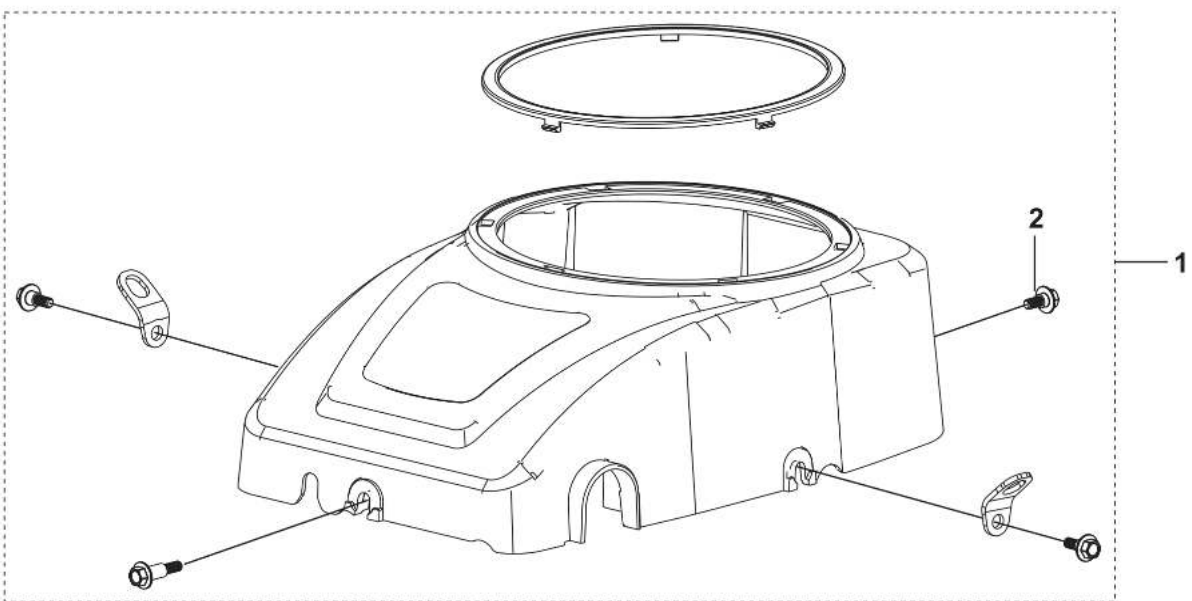
**HS 413AE
CARBURETTOR**

FOR ENGINE: 529666004



REF.	ART. NR	ARTIKELBESKRIVNING	ANMÄRKNING	KIT
1	546028801	STUD	T361: M8/6 L=143 - MULTIPACK: 2.	1
2	599349056	PACKNINGSSATS	CARBURETTOR GASKET KIT	1
3	599349057	FÖRGASARE		1
4	599349078	PACKNING	CARBURETTOR GASKET - MULTIPACK: 10	1
5	599349059	VAJER	CONNECTING WIRE KIT	1
6	599349039	SENSOR	TEMPERATURE SENSOR	1
7	531147125	BULT	GB/T 5789: M6 L=16	1
8	591165801	BRÄNSLEFILTER		1
9	546246201	RÖR		1
10	599595401	KLÄMMA	HOSE CLIP - MULTIPACK: 20	1
12	531147721	OLJEPUMP	FUEL SWITCH	1

HS 413AE
ENGINE COVER



REF.	ART. NR	ARTIKELBESKRIVNING	ANMÄRKNING	KIT
1	599349064	KÅPA	FAN COVER. FOR ENGINE: 529666001, 529666002.	1
2	531146988	BULT	T370: M6 L=16.5	1
3	546029501	KÅPA	FAN COVER. FOR ENGINE: 529666003, 529666004.	1